



Terminal Blocks

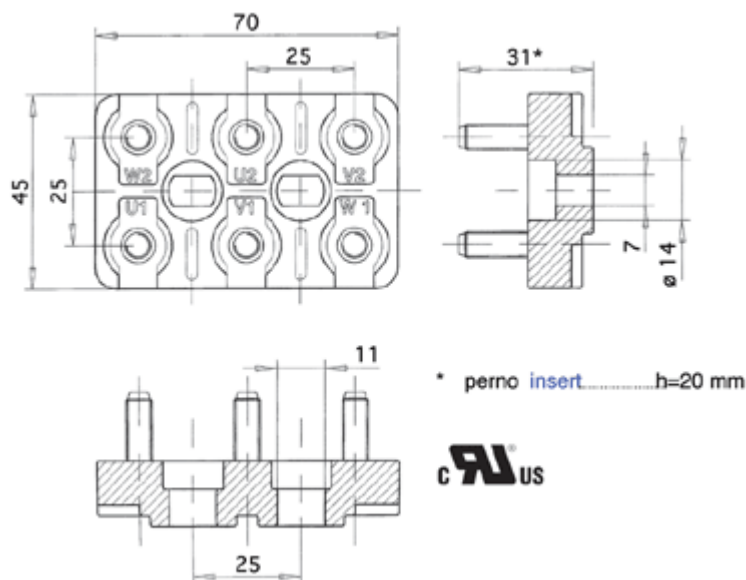
Terminal Blocks 70x45 3/4/5/6 inserts M6

Standard brass insert. In zinc-plated steel on request.



Useful in specific applications, for example, asynchronous single phase motors.
N.B. Position of inserts and siglatura according to customer's requirements.

SPECIFICATIONS



TECHNICAL DRAWINGS, INSERTS AND SMALL PARTS AND, ON REQUEST, REFERENCE STANDARDS.

Insert M6	Uni 5541-65 / 5542-65 / 4535-64
Nut M6	Din 934 = Uni 5588
Washers M6	
Plaques M4 hole-to-hole 25 mm	
Insert torsional stress	4 N.m

SMALL METAL PARTS KIT

The kit can be made up according to request and requirements. In all cases the kit can be supplied in one package or separately



in individual bags.

