



Terminal Blocks

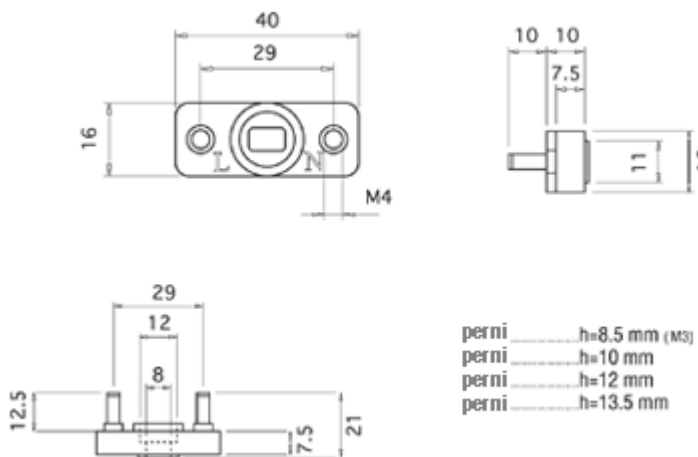
Terminal Blocks 16x40 2 inserts M4 (on request M3)

Standard brass insert. In zinc-plated steel on request.

Useful in specific applications, for example, asynchronous single phase motors.



SPECIFICATIONS



TECHNICAL DRAWINGS, INSERTS AND SMALL PARTS AND, ON REQUEST, REFERENCE STANDARDS.

Insert M4

Uni 5541-65 / 5542-65 / 4535-64

Nut M4

Din 934 = Uni 5588

Washers M4

Plaques M4 hole-to-hole 18 mm

Terminal boards without official UL certification but in any case produced using material recognised by the Underwriters Laboratories in file E111031

SMALL METAL PARTS KIT

The kit can be made up according to request and requirements. In all cases the kit can be supplied in one package or separately



in individual bags.

