



## Terminal Blocks

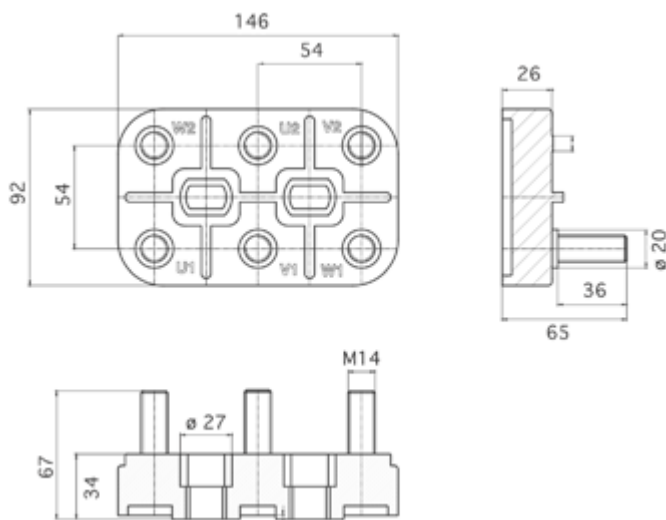
### Terminal Blocks 146x92 6 inserts M14

Standard brass insert. In zinc-plated steel on request.

Useful in specific applications, for example, asynchronous single phase motors.



### SPECIFICATIONS



TECHNICAL DRAWINGS, INSERTS AND SMALL PARTS AND, ON REQUEST, REFERENCE STANDARDS.

Insert M14

Uni 5541-65 / 5542-65 / 4535-64

Nut M14

Din 934 = Uni 5588

Washers M14

Plaques M14 hole-to-hole 54 mm

Terminal boards without official UL certification but in any case produced using material recognised by the Underwriters Laboratories in file E111031

### SMALL METAL PARTS KIT

The kit can be made up according to request and requirements. In all cases the kit can be supplied in one package or separately



in individual bags.

